

OM 160 EC

Woofer

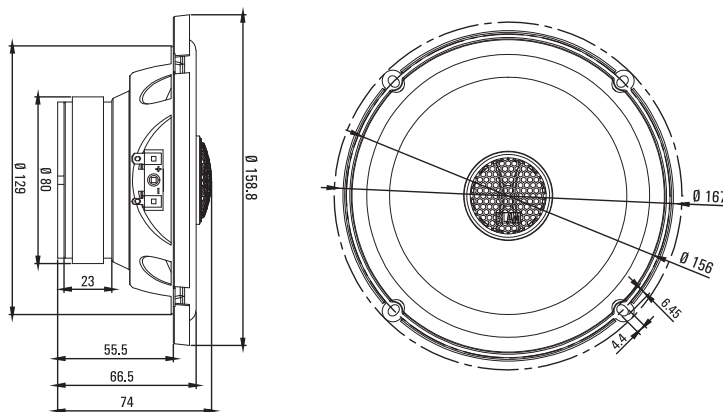
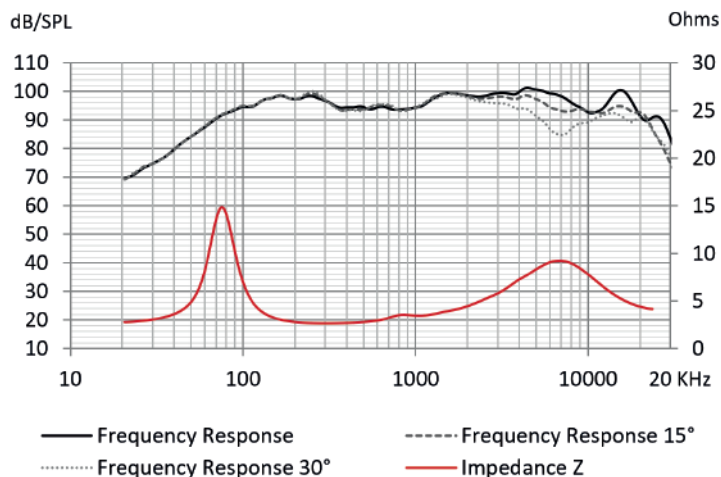
- Woofer 6-1/2" (165 mm)
- Max power 120 W / Nom. power 60 W
- Frequency response 70 Hz - 21 kHz
- Sensitivity 93 dB
- Impedance 2 Ohms

Specific basket in stamped steel - Treated and topolized cellulose pulp cone - Butyl rubber surround - Long life "Conex" damper - 25 mm (1") voice coil with kapton former - 80 mm x 15 mm (3,1" x 0,6") motor assembly (Y30)

TECHNICAL SPECIFICATIONS

Component	Woofer	
Max power	120 W	
Nominal power	60 W	
Impedance	2 Ω	
Freq. Response	70,0 Hz - 21KHz	
Efficiency (2,83V/1m)	93 dB	
Magnet	Ferrite magnet	
Magnet size Ø x h	80 x 15 mm	3.150" x 0.591"
Total driver displacement	0.11	0.004 cf
Weight of one component	0.83 kg	1,830 lb
Voice coil Ø	25 mm	0,984"
Voice coil height	10,6 mm	0.417"
Cone	Cellulose pulp	

FREQUENCY RESPONSE / IMPEDANCE



THIELE-SMALL PARAMETERS

effective Ø (d)	125 mm
Sd	122,7 cm ²
Xmax	3,3 mm
Re	2.48 Ω
Fs	75,3 Hz
Le	465,00 µH @ 1 kHz
L2	5619,00 µH @10 kHz
Vas	10,02 L
Mms	9,52 g
Cms	0,469 m/N
BL	3,60 Tm
Qts	0,744
Qes	0,864
Qms	5,330
Sensitivity (dB/W/m)	89,01 dB

OM 160 ES

Woofer

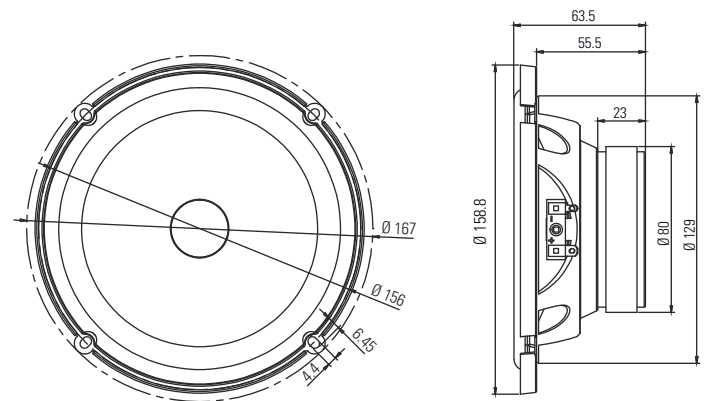
- Woofer 6-1/2" (165 mm)
- Max power 120 W / Nom. power 60 W
- Frequency response 70 Hz - 8 kHz
- Sensitivity 93 dB
- Impedance 2 Ohms

Specific basket in stamped steel - Treated and topolized cellulose pulp cone - Butyl rubber surround - Long life "Conex" damper - 25 mm (1") voice coil with kapton former - 80 mm x 15 mm (3,1" x 0,6") motor assembly (Y30)

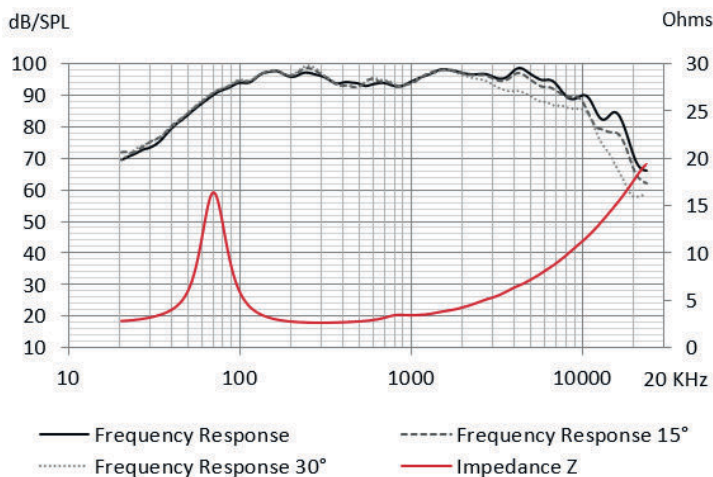


TECHNICAL SPECIFICATIONS

Component	Woofer	
Max power	120 W	
Nominal power	60 W	
Impedance	2 Ω	
Freq. Response	70,0 Hz - 8 KHz	
Efficiency (2,83V/1m)	93 dB	
Magnet	Ferrite magnet	
Magnet size Ø x h	80 x 15 mm	3.150" x 0.591"
Total driver displacement	0.11	0.004 cf
Weight of one component	0.84 kg	1,850 lb
Voice coil Ø	25 mm	0,984"
Voice coil height	10,6 mm	0.417"
Cone	Cellulose pulp	



FREQUENCY RESPONSE / IMPEDANCE



THIELE-SMALL PARAMETERS

effective Ø (d)	125 mm
Sd	122,7 cm ²
Xmax	3,3 mm
Re	2.48 Ω
Fs	75,3 Hz
Le	465,00 µH @ 1 kHz
L2	5619,00 µH @10 kHz
Vas	10,02 L
Mms	9,52 g
Cms	0,469 m/N
BL	3,60 Tm
Qts	0,744
Qes	0,864
Qms	5,330
Sensitivity (dB/W/m)	89,01 dB

ET13 Tweeter

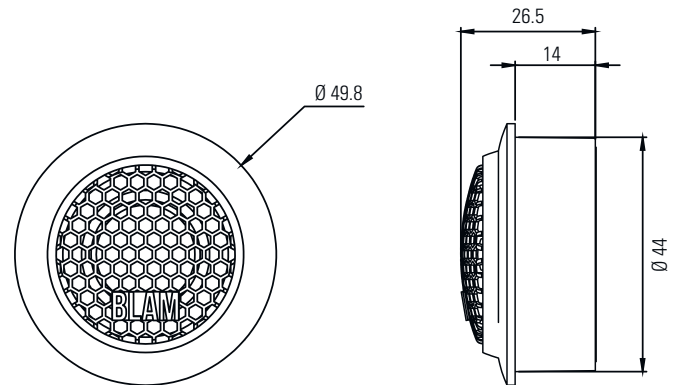
- 13 mm (1/2") mylar dome tweeter
- Max power 100 W / Nom. power 10 W
- Frequency response 2.5 kHz - 28 kHz
- Sensitivity 90 dB
- Impedance 3 Ohms

Mylar dome tweeter - 19 x 3 mm (0.75" x 0.12") Neodymium motor (N42) - Mounting accessories : recessed or inclined support

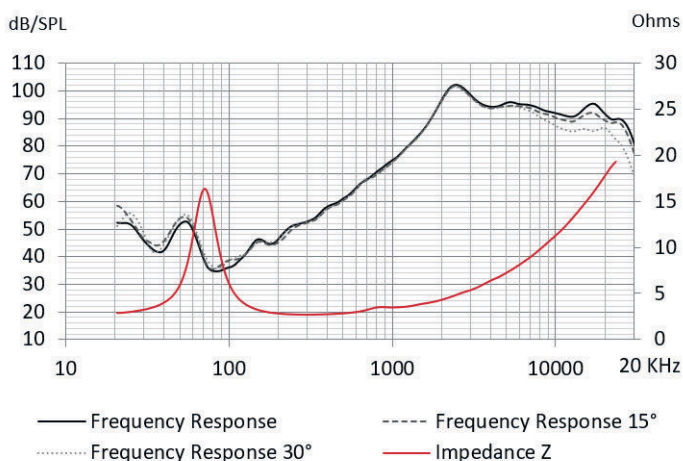


TECHNICAL SPECIFICATIONS

Component	Tweeter	
Max power	100 W	
Nominal power	10 W	
Impedance	3 Ω	
Freq. Response	2.5 kHz - 28 kHz	
Efficiency (2,83V/1m)	90 dB	
Magnet	Neodymium N42	
Magnet size Ø x h	12 x 3 mm	0,472" x 0,118"
Total driver displacement	-	-
Weight of one component	0.032 kg	0,071 lb
Voice coil Ø	13 mm	0,512"
Voice coil height	1,5 mm	0.059"
Cone	mylar dome	



FREQUENCY RESPONSE / IMPEDANCE



THIELE-SMALL PARAMETERS

effective Ø (d)	18 mm
Sd	3.14 cm ²
Xmax	-
Re	3.3 Ω
Fs	2500 Hz
Le	-
L2	-
Vas	-
Mms	-
Cms	-
BL	-
Qts	-
Qes	-
Qms	-
Sensitivity (dB/W/m)	86 dB

ET 20

Tweeter

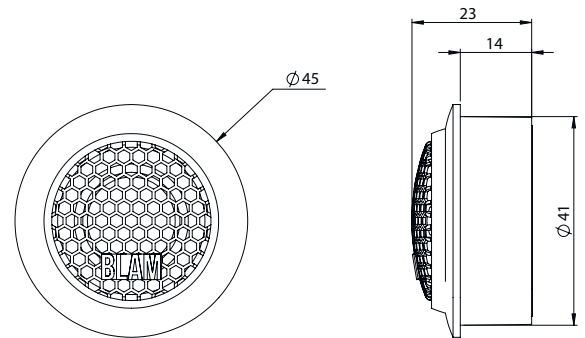
- Hi fidelity 20 mm soft dôme tweeter
- Hi efficiency magnet (N38 neodymium)
- HI quality special soft dôme material
- Ferrofluid for hi power handling

TECHNICAL SPECIFICATIONS

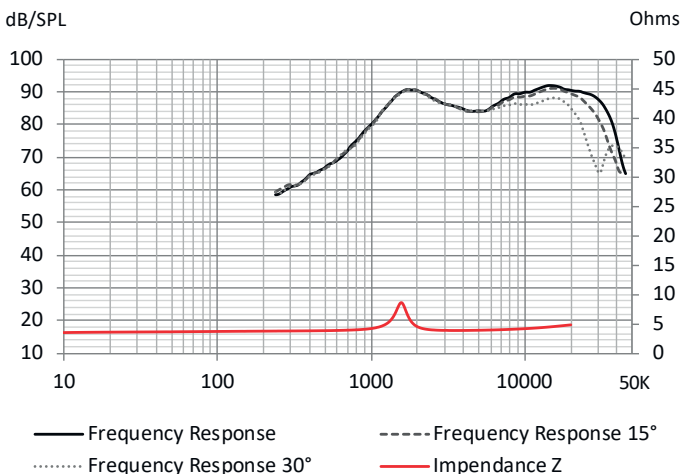
Component	Tweeter	
Max power	100 W	
Nominal power	10 W	
Impedance	3 Ω	
Freq. Response	2.5 KHz - 31 KHz	
Sensitivity (2,83V/1m)	90 dB	
Magnet	Neodymium	
Magnet size Ø x h	18 x 3 mm	0.709" x 0.118"
Total driver displacement	-	-
Weight of one component	0.045 kg	0.099 lb
Voice coil Ø	20 mm	0.787"
Voice coil height	1.5 mm	0.059"
Dome	Soft	



Unit : mm



FREQUENCY RESPONSE / IMPEDANCE



THIELE-SMALL PARAMETERS

effective Ø (d)	22 mm
Sd	3.80 cm ²
Xmax	-
Re	3.52 Ω
Fs	1589 Hz
Le	-
L2	-
Vas	-
Mms	-
Cms	-
BL	-
Qts	-
Qes	-
Qms	-
Sensitivity (dB/W/m)	86.4 dB