



POWER  
**RMS 70 w**  
**MAX 140 w**

## MAD PM1-84

### MIDRANGE MADNESS

The MAD PM1 midrange drivers are here to stay and to play LOUD. It's time to take a stand, and it's your choice. Are you going to be "that guy" who stays on the sidelines, or are you going to show everyone how LOUD you can be? If you're ready to take the first step into the wonderful world of SPL, you have the right product.

### ARE YOU LOUD ENOUGH?

SPL is not just a couple of midrange drivers and horn tweeters that will wake up the neighbors in the next area, SPL is a lifestyle! But beware, as soon as you have installed your first pair you will want to add two more and two more after that, and that's OK. The SPL addiction is a way of life, and believe us, your car was made to play LOUD.

### POWER OF PAPER

We're referring to the pressed paper cone, of course. The MAD PM1-84 is made for playing your favorite music, as loud as possible. When testing this midrange driver, we noticed one thing: for that extra durability, the paper cone needed to be reinforced. Now you're ready to crank that volume knob as hard as you can. We know you want to.

### DOING IT THE SPL WAY

You can do better than two speakers. Come on! More is always better, and we want you to be as LOUD as you possibly can. To make this easier, we've placed two gold plated terminals on the speaker. This makes it easier to add a speaker to your setup, or a tweeter. The choice is yours, but be sure to make a kickass build that'll make GAS proud.

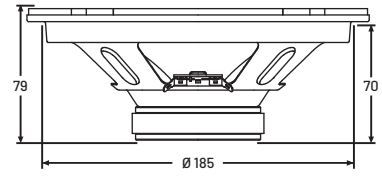
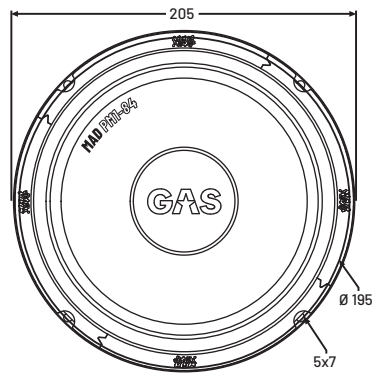
## SPECIFICATIONS

MAD PM1-84	
Component	SPL Midrange
Size	8" (200mm)
Nominal Impedance	4 Ohm
Power RMS	70W
Power MAX	140W
Freq. response	90-12 000Hz
Sensitivity	93dB
Voice Coil	1" (25mm) KSV
Cone	Reinforced pressed paper
Spider	Polycotton
Basket	Steel
Magnet	H0 Ferrite
Suspension	2R cloth surround
Weight	0.8 kg

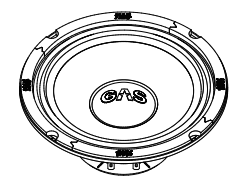
## PARAMETERS

	PM1-84
Vas	12.25L
Qts	1.68
Qes	2.10
Qms	8.48
Re	3.58 Ohm
Fs	98.80 Hz

## DIMENSIONS (mm)



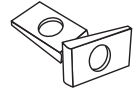
## PARTS INCLUDED



Speakers (2pcs)



Manual



V-type clips (8pcs)



Screws (8pcs)