



SPECIFICATIONS

MAD S2-15D2

Component	Subwoofer
Size	15" (380 mm)
Nominal Impedance	2+2 Ohm
Power RMS	400 W
Power MAX	800 W
Freq. response	18-150 Hz
Voice Coil	2" (51mm) PCW
Cone	IMPP
Dustcap	3D IMPP
Basket	M Steel
Magnet	HQ Ferrite
Suspension	USG Rubber
Weight	5.4 KG

THIELE/SMALL PARAMETERS

S2-15D2	
Impedance	2+2 Ohm
Re	3.6 Ohm
Fs	22.6 Hz
Qms	5.39
Qes	0.65
Qts	0.58
Vas	230.2 L
Sd	829.6 cm ²
Mms	200.1 g
Le	2.095 mH
Xmax	30 mm
dB/SPL	88 dB 1W/1M
BI	12.8
Driver Vol. Displacement	2.298 L

MAD S2-15D2

THUNDER-SHAKING CONE

A robust, rigid and durable cone made by injection molded polypropylene (IMPP) that withstands the toughest resonance and membrane break-up. Provide it with raw power and you will be rewarded!

USG™ CONSTRUCTION

The USG™ (Unity Surround & Gasket) construction around the cone optimizes the linear movement and cone displacement area, all to give you the extra edge in accuracy and provide an awesome musical performance.

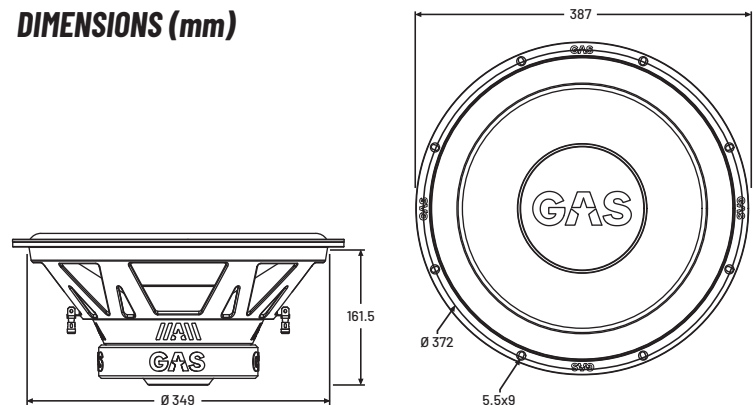
DVS™ VENTILATION SYSTEM

If you like it LOUD, proper cooling is key. We implemented the subwoofer with a DVS™ (Dual Ventilation System) for reduced distortion and increased heat dissipation. Are you ready to push the MAD S2-15D2 to the limit? The incorporated woven tinsel leads avoid annoying pop sounds and improves durability!

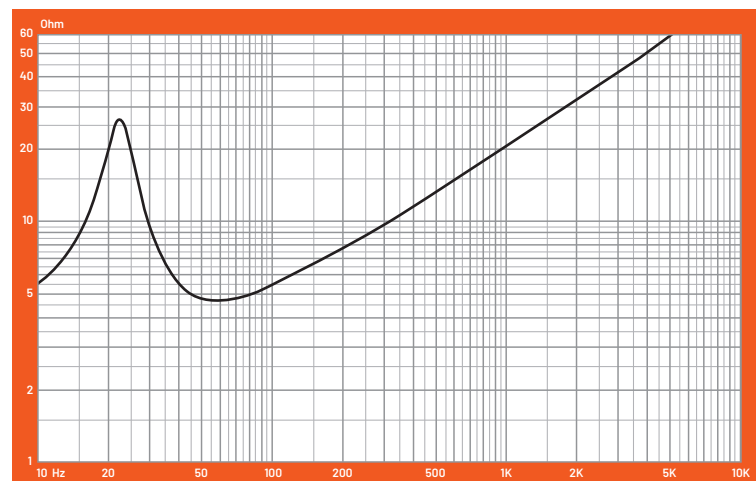
FIERCE DESIGN AND DUAL PCW VOICE COIL

To match its awesome sound, the subwoofer got an industrial and rugged MAD shaped steel basket that endures the toughest conditions. The dual 2+2 Ohm 51mm voice coil is made of PCW (Pure Copper Wire) and the dust cap is, like the cone, made of IMPP for a unique 3D design that will make your friends jealous and keep the haters away! Walk tall and cruise with pride!

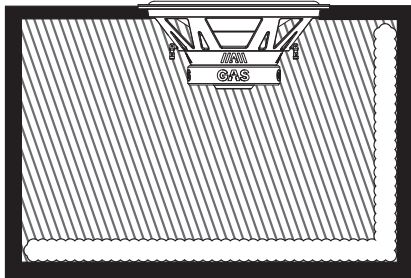
DIMENSIONS (mm)



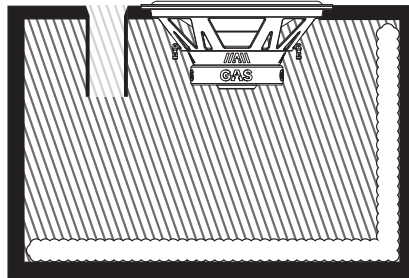
IMPEDANCE VS FREQUENCY



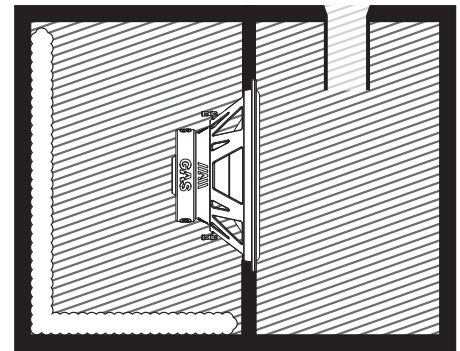
ENCLOSURE RECOMMENDATIONS



SEALED



VENTED



4TH ORDER BANDPASS

MAD S2-15D2:

	VOLUME	F3	QTC	FB	PORT	LENGTH	BANDWIDTH
SEALED	53L*	40Hz	0.967	x	x	x	x
SEALED	102L*	35.2Hz	0.794	x	x	x	x
VENTED	91L*	35.2Hz	x	36.2Hz	1x6" (155mm)	440mm	x
4TH ORDER BANDPASS	SEALED 60L* VENTED 95L	x	x	48Hz	1x6" (155mm)	155mm	(-3dB) 30Hz-76Hz

* Driver displacement volume included

