



POWER
RMS 250 W
MAX 500 W

SPECIFICATIONS

MAD S2-8D2	
Component	Subwoofer
Size	8" (200 mm)
Nominal Impedance	2+2 Ohm
Power RMS	250 W
Power MAX	500 W
Freq. response	25-250 Hz
Voice Coil	2" (51mm) PCW
Cone	IMPP
Dustcap	3D IMPP
Basket	M Steel
Magnet	HQ Ferrite
Suspension	USG Rubber
Weight	3.2 KG

THIELE/SMALL PARAMETERS

S2-8D2	
Impedance	2+2 Ohm
Re	3.6 Ohm
Fs	33 Hz
Qms	5.71
Qes	0.47
Qts	0.43
Vas	28.2 L
Sd	213.8 cm ²
Mms	53.2 g
Le	1.550 mH
Xmax	20 mm
dB/SPL	86 dB 1W/1M
BI	11.1
Driver Vol. Displacement	0.757 L

MAD S2-8D2

THE ESSENCE OF THUNDER

A robust, rigid and durable cone made by injection molded polypropylene (IMPP) that withstands the toughest resonance and membrane break-up. Provide it with raw power and you will be rewarded!

USG™ CONSTRUCTION

The USG™ (Unity Surround & Gasket) construction around the cone optimizes the linear movement and cone displacement area, all to give you the extra edge in accuracy and provide an awesome musical performance.

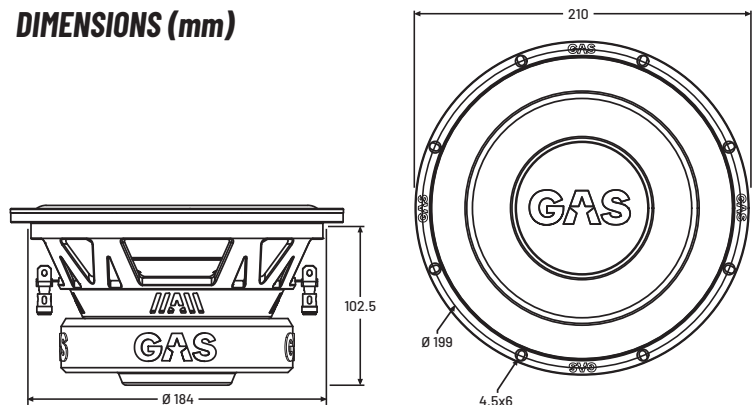
DVS™ VENTILATION SYSTEM

If you like it LOUD, proper cooling is key. We implemented the subwoofer with a DVS™ (Dual Ventilation System) for reduced distortion and in- creased heat dissipation. Are you ready to push the MAD S2-8D2 to the limit? The incorporated woven tinsel leads avoid annoying pop sounds and improves durability!

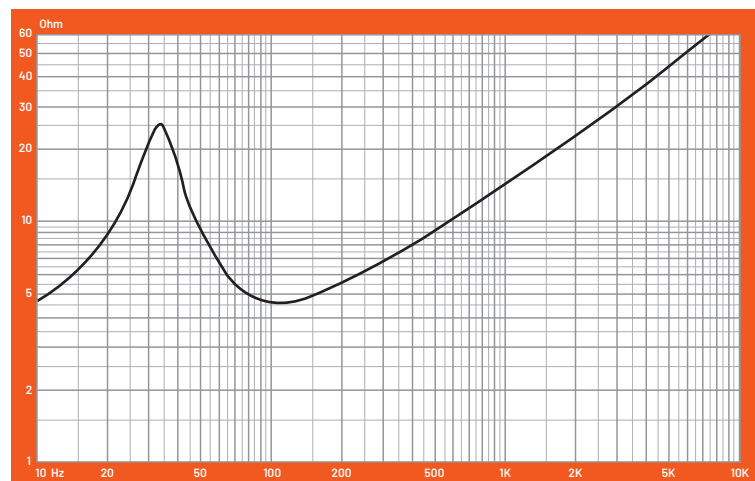
FIERCE DESIGN AND DUAL PCW VOICE COIL

To match its awesome sound, the subwoofer got an industrial and rugged MAD shaped steel basket that endures the toughest conditions. The dual 2+2 Ohm 51mm voice coil is made of PCW (Pure Copper Wire) and the dust cap is, like the cone, made of IMPP for a unique 3D design that will keep the haters away. Walk tall and cruise with pride!

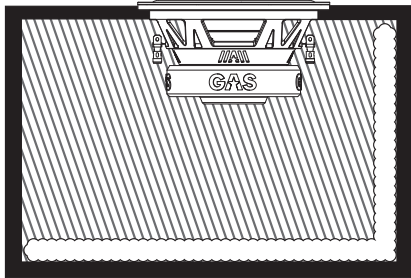
DIMENSIONS (mm)



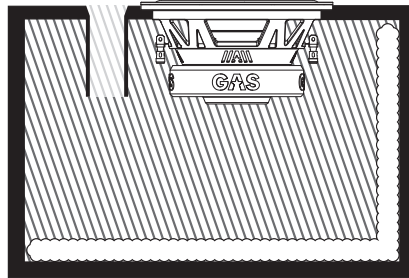
IMPEDANCE VS FREQUENCY



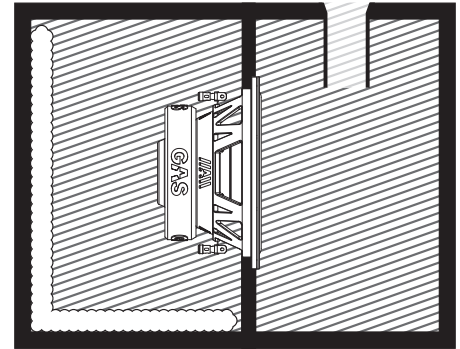
ENCLOSURE RECOMMENDATIONS



SEALED



VENTED



4TH ORDER BANDPASS

MAD S2-8D2:

	VOLUME	F3	QTC	FB	PORT	LENGTH	BANDWIDTH
SEALED	9L*	64Hz	0.679	x	x	x	x
VENTED	19L*	40Hz	x	42Hz	1x3" (70mm)	346mm	x
VENTED	32L*	37.7Hz	x	44.5Hz	1x4" (104mm)	400mm	x
4TH ORDER BANDPASS	SEALED 15L* VENTED 19.5L	x	x	58Hz	1x3" (70mm)	154mm	(-3dB) 42Hz-79Hz

* Driver displacement volume included

