

MVA-81 Installation Manual

Thank you for purchasing the Beat-Sonic MVA-81 Audio Interface Adapter Kit. You have purchased from Japan's leading supplier of car audio interface adapters and accessories. Designed and made in Japan, this product represents our commitment to quality and excellence. Please read this manual carefully prior to installing this product to ensure correct operation.

Compatible Vehicles	OEM Nav	Year	Chassis Code
Toyota Land Cruiser Prado with 9 Speaker Sound	DVD-ROM Navigation	2002 - 2009	J120

■Features

- Allows installation of a single-DIN (178mm x 50mm) head unit to replace factory head unit.
- Retains full function of factory EMV touch screen navigation and climate control systems.
- Compatible with 9 speaker sound system with factory amplifier and DVD-ROM navigation.
- Plug and play adapter with no modifications required to factory vehicle electrical harness.

■Important

- Factory CD changer located inside the glove compartment will no longer function after removing the factory head unit. Regardless, do not remove CD changer as removal will result in system malfunction.
- Front / rear fader and any DSP functions on the aftermarket head unit will have no effect with this installation.
- Factory AUX input and Radio Data Service (RDS) will no longer function after removing the OEM head unit.
- Aftermarket head unit must support steering wheel audio buttons to retain this functionality. Depending on the aftermarket head unit, a separate steering wheel button interface may be required. See Appendix A on next page.
- This product is not compatible with connector type (20-pin) steering wheel control adapters. Please use wired type only.
- This product will not rectify any pre-existing faults with the electrical system, factory amplifier and/or speakers.
- This product should be installed by an experienced motor vehicle technician or automotive electrical professional.
- The user assumes all responsibility for any damages and/or injuries caused as a result of improper installation.

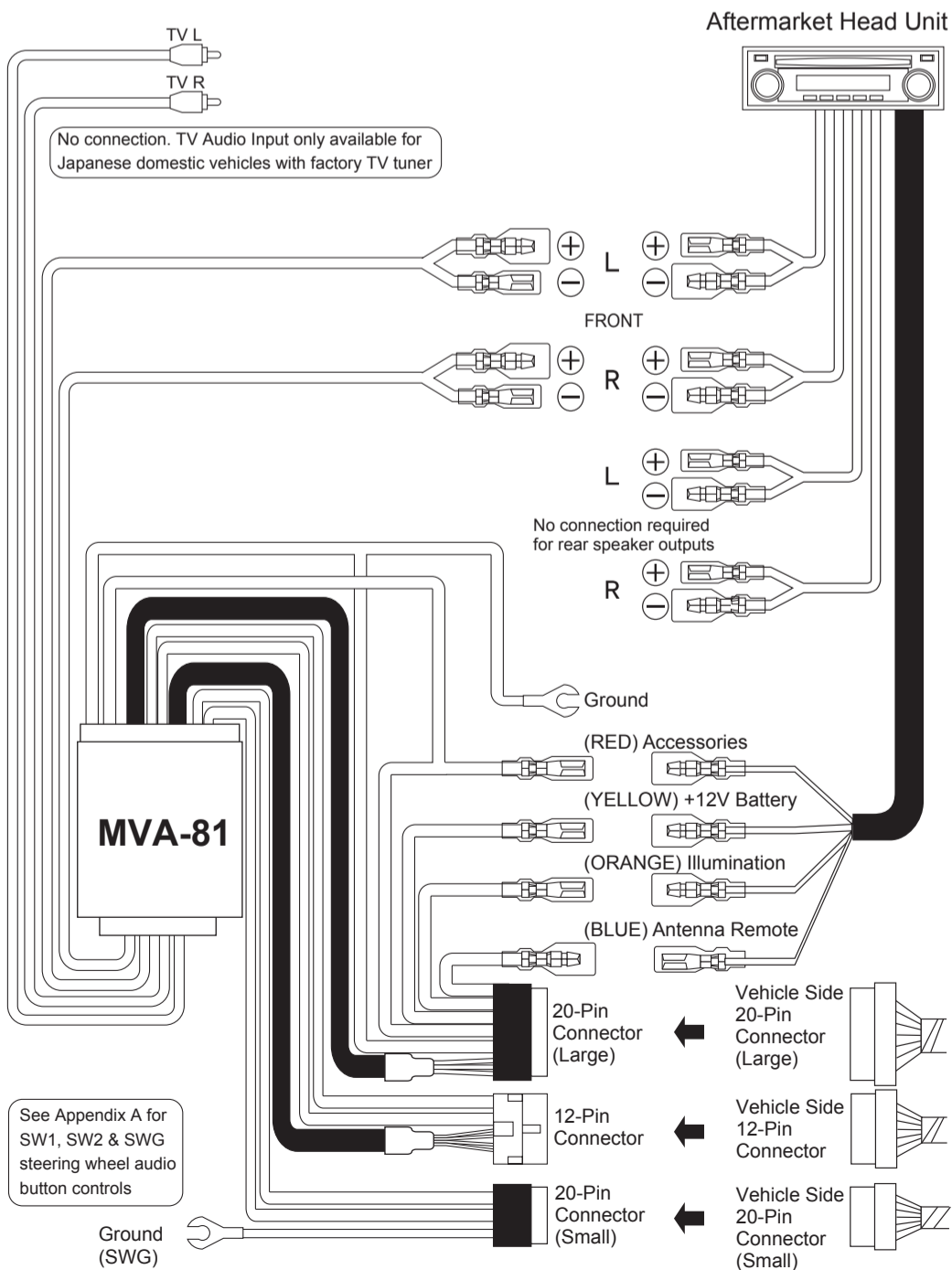
■Precautions

- Perform installation with patience and due care to prevent damage to this product or any part of the vehicle.
- Ensure all connectors, cables and terminals are correctly secured and fully inserted. Loose and/or improperly secured connectors will cause malfunction.
- Always grasp the connector plug when disconnecting the cable harness. Never disconnect connectors by pulling on the harness wires as serious damage can occur.
- Do not attempt to install this product on any other vehicle other than the specified models.
- Do not disassemble, modify or attempt to repair this device. Doing so will render the warranty void.
- Beat-Sonic and its affiliates shall not be held responsible for any consequence, either directly or otherwise, as a result of installing and/or using this product.
- Disconnect negative terminal of the vehicle battery prior to installation to prevent risk of short circuit.

■Contents

- Interface Adapter Module and Harness x 1
- 1-DIN Side Panels (Left & Right) x 1 pair
- Instruction Manual x 1

Connection Diagram

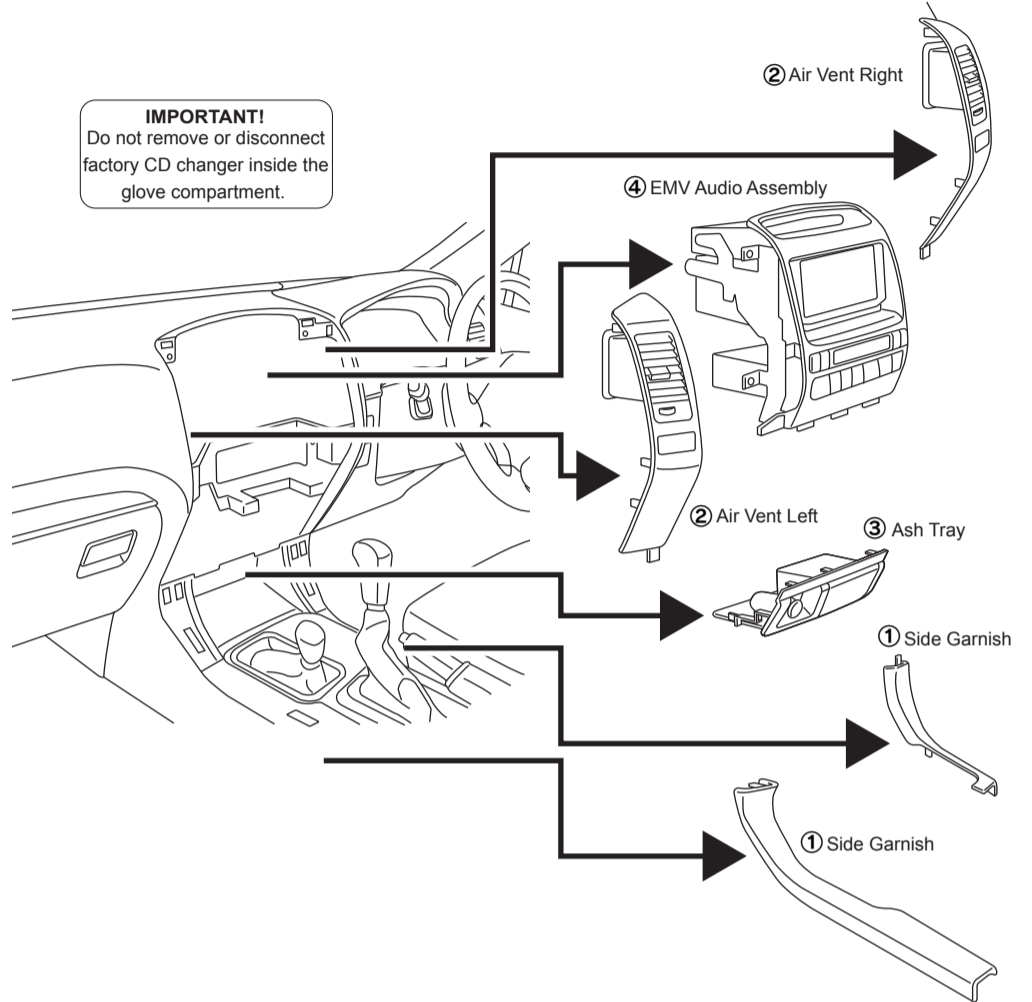


Installation

1. Remove the EMV Audio Assembly

Disconnect the negative terminal of the vehicle battery and wait at least 90 seconds before proceeding to prevent accidental airbag deployment.

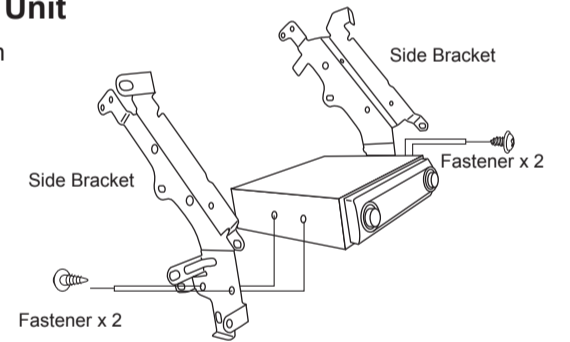
- 1.1 Remove the Side Garnish panels on either side of the centre console by pulling away to disengage the clips.
- 1.2 Remove the Air Vents on either side of the EMV Audio Assembly by pulling away to disengage the clips.
- 1.3 Remove the Ash Tray by pulling away to disengage the clips.
- 1.4 Unscrew the 4 fasteners that secure the EMV Audio Assembly the disconnect the connectors behind to remove.



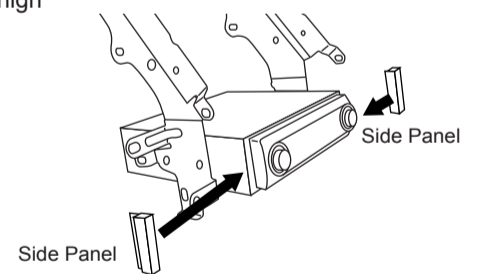
2. Install the Single DIN Head Unit

2.1 Remove the mounting brackets from the EMV Audio Assembly then remove the factory radio unit.

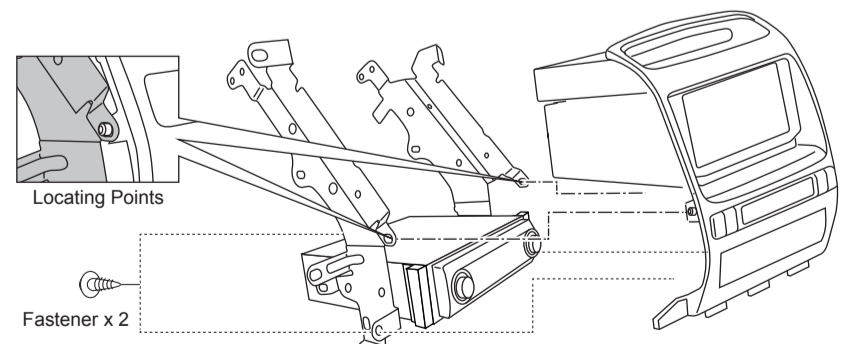
2.2 Attach the aftermarket Single DIN Head Unit to the brackets using the fasteners that came supplied with the aftermarket head unit.



2.3 Attach the side panels using the pre-applied high strength double sided tape.



2.4 Re-attach the side brackets to the EMV Audio Assembly taking care to align the locating points on both sides and insert the newly installed aftermarket head unit into the opening.



2.5 Connect the MVA-81 adapter harness and all EMV Audio Assembly connectors. Refer to Appendix A overleaf for connection of steering wheel audio controls.

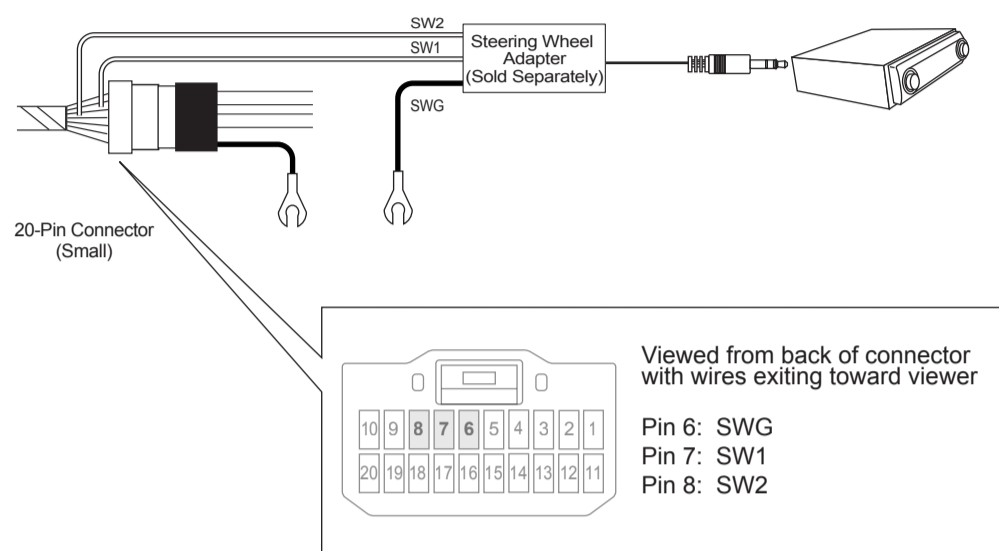
2.6 Re-assemble all parts in reverse order to complete the installation.

Appendix A

Steering Wheel Audio Button Connection (Optional)

Vehicles equipped with factory steering wheel audio buttons can retain this function by hard wiring a suitable steering wheel interface adapter (sold separately) to the smaller 20-Pin Connector. It is important to observe the following:

- Use hard wired steering wheel adapters only.
- Use wire taps to connect steering wheel adapter SW1 and SW2 wires.
- 20-Pin Connector (Small) of MVA-81 must remain connected together with steering wheel adapter.
- Aftermarket head unit must support steering wheel button connection to enable this feature.



International



472-5, Koushin, Fujieda, Nisshin, Aichi, JAPAN.
TEL: +81-561-73-9000 FAX: +81-561-74-5554
www.beatsonic.co.jp E-mail: enquiries@beatsonic.co.jp

USA and Canada



14778 Beach Blvd. La Mirada, CA 90638
TEL: 1-714-994-1085 FAX: 1-714-249-4741
www.beatsonicusa.com E-mail: info@beatsonicusa.com